



Bronze finish
Direct + Indirect (UP)



7200 (surface) / 7400 (pendant)

7200 LED

The multifaceted Penny collection is comprised of both indoor (Penny-ID) and outdoor (Penny-OD) rated models. Full breakdown below.

Penny-ID Surface - Model #: 2100 | Penny-ID Pendant - Model #: 2700.
Penny-OD Surface - Model #: 7200 | Penny-OD Pendant - Model #: 7400.
Penny-OD Cantilever - Model #: 7205.

While minimal in terms of aesthetic, it is everything but minimal from an application standpoint. Penny is functional enough for corridor illumination, fun enough for cluster mounting in lobbies and common areas, and durable enough for outdoor environments. Penny can also be wiped down for use in healthcare settings.

FINISHES



PENNY-OD OUTDOOR SURFACE

STANDARD SPECIFICATIONS - OUTDOOR SURFACE MOUNT (7200)

HOUSING

High quality cast aluminum. No visible hardware when mounted. Closed cell foam gasket at rear of fixture to assist with mounting on moderately uneven surfaces.

DIFFUSER

UV stabilized frosted acrylic diffuser. Injection molded. Smooth uniform illumination.

LED PERFORMANCE - 3500K STANDARD

120-277V - 3500K, 82 CRI - L80 rating - 60,000 hrs - L70 rating (projected) - 100,000 hrs
Amperage rated @ 110V input
Operating ambient temperature: -20°C / -4°F - 60°C / 140°F

Delivered 3500K lumens noted. Consult Brownlee.com for performance of all CCTs.

14 Size: L16 - 16W nominal, .13 A input - 1490 lm. Dimmable (0-10V).

14 Size: L32 - 32W nominal, .26 A input - 2690 lm. Dimmable (0-10V).

14 Size: L52 - 52W nominal, .44 A input - 3945 lm. Dimmable (0-10V).

INDIRECT COMPONENT (OPTIONAL)

Dedicated indirect (up light) component available as an optional offering. Wired to same circuit as direct (down light) output and not independently controllable. Contact factory if independent control is required.

Refer to Options section of spec sheet to order.

UP1 - 16W nominal, .15 A input - 1600 lm. (0-10V).

UP2 - 22W nominal, .20 A input - 2220 lm. (0-10V).

MOUNTING

Fixture mounts directly to jbox (by others). Clearance holes (two) must be drilled into rear of housing for mounting. Hardware provided. **NOTE: Suction cup (4-5" dia. with handle) required for proper installation of diffuser in outdoor environments. This is not included.** Third party reference: <https://amzn.to/3QJjMgY>.

FINISH

Parts are prepared using a three step pre-treatment/sealing process, followed by a durable powder coat finish. Custom colors available, contact factory.

WARRANTY

5 year limited warranty on this LED product.

ORDERING INFORMATION

7200 - Model - 2. - 3. - 4. - 5.

2. FINISH

BL	Black
BU	Pastel Blue (RAL 5024)
BZ	Bronze
GN	Pastel Green (RAL 6019)
MG	Metallic Gold
NT	Nickel Tone
RD	Red (RAL 3020)
TB	Textured Black
TG	Textured Grey
TW	Textured White
WH	White
YL	Yellow (RAL 1018)

Note: TB, TG, TW are ultra fine textured matte finishes. Contact your local representative for color swatches.

Note: Antimicrobial finishes available in a select number of finishes. Refer to the Options section of this sheet for details ("AMF").

3. WATTAGE

	14 SIZE
L16	16W L Series LED
L32	32W L Series LED
L52	52W L Series LED

4. COLOR TEMPERATURE

35K	3500K standard color temperature
30K	3000K color temperature
40K	4000K color temperature

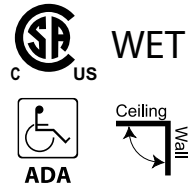
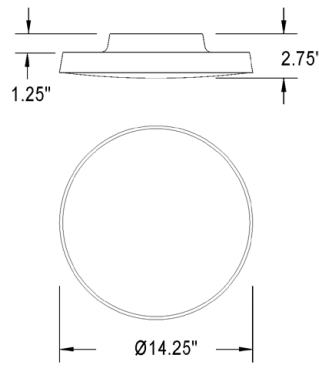
Note: Contact factory for 2700K color temperature. May require MOQ.

5. AVAILABLE OPTIONS

90R⁰	90 CRI (30K & 35K only) <small>MAY ADD TO LEAD TIME</small> *Only applies to L Series direct output. Optional indirect component unavailable in 90 CRI.*
AMF	Antimicrobial Finish (BL, NT, WH only) (See AMF note)
BAC¹	Buy American Compliant
DTR⁴	Triac (Line Voltage) Dimming (120V)
FCL⁷	French Canadian Label
UP1	Up Light (Indirect) Component - 16W / 1600 lm
UP2	Up Light (Indirect) Component - 22W / 2220 lm

AMF Note: Antimicrobial powder coat is applied to the exposed metal fixture parts and can inhibit the growth of mildew and spoilage causing microbes on the finish. Diffuser is not antimicrobial.

PROJECT:
MODEL #:
FIXTURE TYPE:



Notes: (0) 90R - cannot be combined with ES. (1) BAC - cannot be combined with FCL. (2) BBI/BBS/BBC - cannot be combined with ECW or EXT. (3) BLD - includes integral OCC sensor (do not combine with OCC option). Cannot be combined with DTR. (4) DTR - cannot be combined with BLD or T24. (5) ECW - cannot be combined with BBI, BBC, or DTR. (6) ES - cannot be combined with 90R or T24. (7) FCL - cannot be combined with BAC. (8) OCC - integral ON/OFF occupancy sensor. (9) T24 - includes JA8 labeling and 90 CRI LEDs (do not combine with 90R option). Cannot be combined with DTR or ES. (10) BBS - cannot be combined with BLD, ECW, EXT, or OCC. (11) PCH/PC4 - cannot be combined with BLD or OCC.
Add'l Notes: *BBI/BBS/BBC - standard BBI (and BBS) option has a minimum operating temperature of 10C/50F. BBC option has a minimum operating temperature of -20C/-4F. **BLD - integral OCC sensor with onboard control. 1: Motion is detected, illuminate to 100%. 2: Motion no longer detected, dim to 50%, 30%, 20% or 10%. 3: Remain in continuous dimmed state or turn off after set period.

Specifications and dimensions subject to change without notice.
Consult your Brownlee Lighting representative for availability and ordering information.