



2656 LED

The 2656 LED features a clean aluminum spinning, contemporary suspension system and shallow white acrylic diffuser. This unit is perfect for a variety of spaces from lobbies and entryways to foyers and corridors in applications such as libraries, schools, hotels and more. The aircraft cables can be specified in three different positions to fit the aesthetic needs of the space. This unit provides a generous amount of indirect uplight in addition to downlight.

FINISHES



SALEM

STANDARD SPECIFICATIONS

BOWL

Smooth UV stabilized white acrylic. The 30" bowl is formed from 0.188" material.

TRIM

The trim consists of a spun 36" dia. aluminum ring, a formed cold rolled steel ceiling canopy, stainless steel aircraft cables, and a steel stem.

HOUSING

Formed, cold rolled steel design, finished in a high reflectance powder coat white.

LED PERFORMANCE - 3500K STANDARD

120-277V - 3500K, 82 CRI - L80 rating - 60,000 hrs - L70 rating (projected) - 100,000 hrs

Amperage rated @ 110V input

Operating ambient temperature: -20°C / -4°F - 40°C / 104°F

Delivered 3500K lumens noted. Consult Brownlee.com for performance of all CCTs.

36 Size: R34 - 34W nominal, .28 A input - 3475 lm. Dimmable (0-10V).

36 Size: R49 - 49W nominal, .41 A input - 4617 lm. Dimmable (0-10V).

MOUNTING

Directly to j-box (by others). Mounting hardware included.

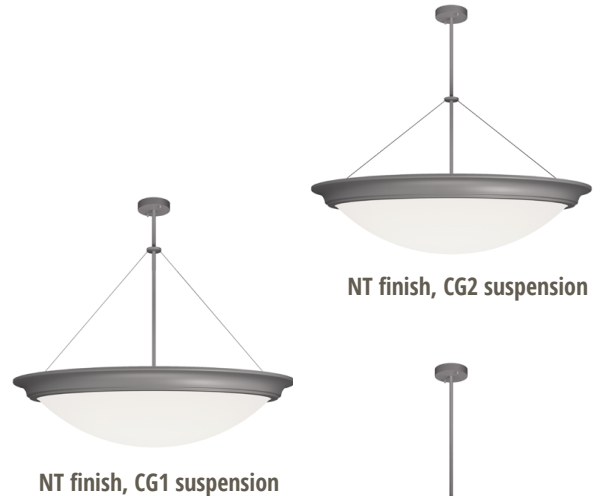
FINISH

The 2656 series is available in all Brownlee paint finishes as a standard offering.

WARRANTY

5 year limited warranty on this LED product. Consult factory for details.

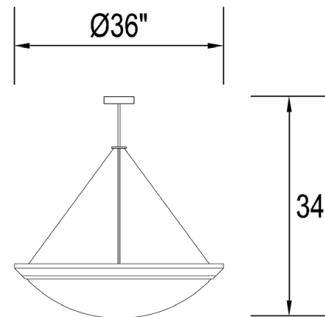
PROJECT:
MODEL #:
FIXTURE TYPE:



NT finish, CG2 suspension

NT finish, CG1 suspension

NT finish, CG3 suspension



34"



DAMP



ORDERING INFORMATION

2656	-	2.	-	3.	-	4.	-	5.	-	6.
Model										

2. FINISH

STANDARD

BL	Black
BZ	Bronze
GM	Gun Metal
MB	Metallic Bronze
MG	Metallic Gold
NT	Nickel Tone
PL	Platinum
WH	White

CUSTOM

Provide color sample or RAL code to match

3. WATTAGE

R34	34W R Series LED
R49	49W R Series LED

4. SUSPENSION

CG1	Cable Guide - High
CG2	Cable Guide - Mid
CG3	Cable Guide - Low

5. COLOR TEMPERATURE

35K	3500K standard color temperature
27K	2700K color temperature
30K	3000K color temperature
40K	4000K color temperature

6. AVAILABLE OPTIONS

90R ⁰	90 CRI (30K & 35K only)
BAC ¹	Buy American Compliant
DTR ⁴	Triac (Line Voltage) Dimming (120V)
ES ⁶	ENERGY STAR [®] (Not available in 90 CRI)
FCL ⁷	French Canadian Labels
SVL	Swivel Canopy
T24 ⁹	Title 24 JA8 Compliant (30K & 35K only)

ACCESSORIES (FIELD INSTALLED)

ORDERING NUMBER	DESCRIPTION
390002XX	Stem Extension Kit: includes (1) 1' stem and (2) 2' stems. 5' combined max. Specify finish (xx)

Universal Footnotes (only applies if option is listed on spec sheet): (0) 90R - 90 CRI output-loss multiplier: 0.85 (estimate). Cannot be combined with ES. (1) BAC - cannot be combined with FCL. (2) BBI/BBS/BBC - cannot be combined with ECW or EXT. (3) BLD - includes integral microwave motion sensor (do not combine with OCC option). Cannot be combined with DTR. (4) DTR - cannot be combined with BLD. (5) ECW - cannot be combined with BBI, BBC, or DTR. (6) ES - cannot be combined with 90R or T24. (7) FCL - cannot be combined with BAC. (8) OCC - integral microwave motion sensor (ON/OFF). (9) T24 - includes JA8 labeling and 90 CRI LEDs (do not combine with 90R option). Cannot be combined with ES. (10) PCH/PC4 - cannot be combined with BLD or OCC. **Add'l Notes:** *BBI/BBC - BBI minimum operating temp: 10C/50F unless otherwise stated. BBC minimum operating temp: -20C/-4F. **BLD - integral microwave motion sensor with step-dim control. 1: Motion is detected, illuminate to 100%. 2: Motion no longer detected, dim to set level. 3: Remain in continuous dimmed state or turn off after set period. Configurable via onboard dip switches. **Specifications and dimensions subject to change without notice.**
Consult your Brownlee Lighting representative for availability and ordering information.