

DUO

STANDARD SPECIFICATIONS

PROJECT:
MODEL #:
FIXTURE TYPE:

DIFFUSER

The double wall drum features an exterior ring with a white linen fabric bonded to the UV stabilized white acrylic wall, while the interior ring remains in its natural state. The shade can be cleaned with a damp cloth.

HOUSING

Formed, cold rolled steel design, finished in a high reflectance powder coat white.

LED PERFORMANCE - 3500K STANDARD

120-277V - 3500K, 82 CRI - L80 rating - 60,000 hrs - L70 rating (projected) - 100,000 hrs
Amperage rated @ 110V input
Operating ambient temperature: -20°C / -4°F - 40°C / 104°F

3500K delivered lumens noted. Consult Brownlee.com for performance of all CCTs.
C37 - 35W nominal, .30 A input - 4128 lm. Dimmable (0-10V).
C49 - 45W nominal, .40 A input - 5563 lm. Dimmable (0-10V).

MOUNTING

Directly to j-box (by others). Mounting hardware included.

WARRANTY

5 year limited warranty on this LED product. Consult factory for details.

SUSPENSION SYSTEM

The 2608 Series is available in multiple colors and four suspension methods:

CC1 - Cord & Single Cable: Both the power cord and aircraft cable can be trimmed in the field. See optional ordering code CE1 and CE2 for extended 10' and 20' drops.

CC3 - Cord & Three Cable: Both the power cord and aircraft cables can be trimmed in the field. See optional ordering code CE1 and CE2 for extended 10' and 20' drops.

SCM - Stem & Cable Mount: Steel stem in your choice of finish with three aircraft cables. The standard overall height (OAH) can be extended with additional stem sections in 1' and 2' intervals - see accessories section.

SSM - Single Stem Mount: Traditional pendant style. Steel stem in your choice of finish. The standard overall height (OAH) can be extended with additional stem sections in 1' and 2' intervals - see accessories section.



BL finish, CC1 suspension



NT finish, CC3 suspension



WH finish, SCM suspension

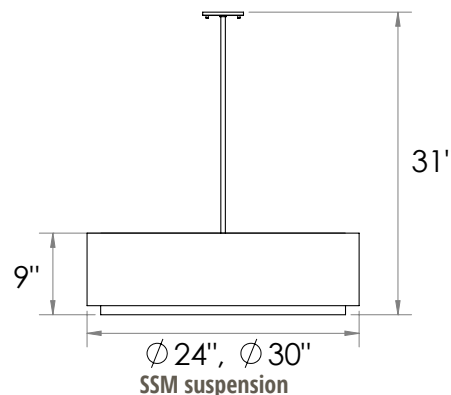
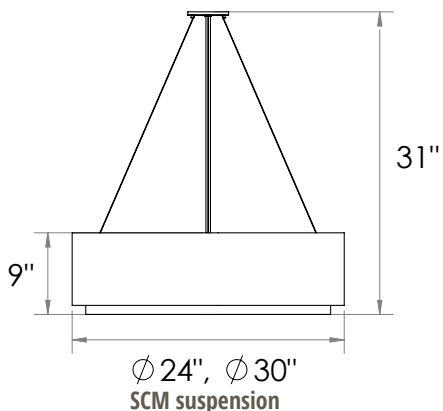
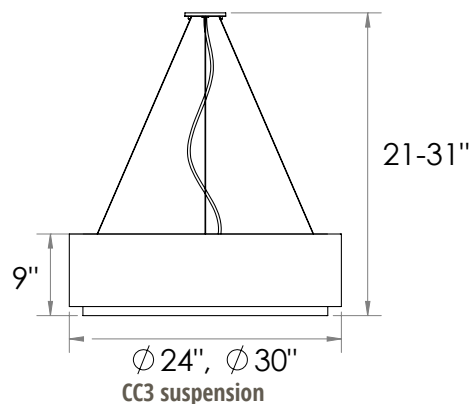
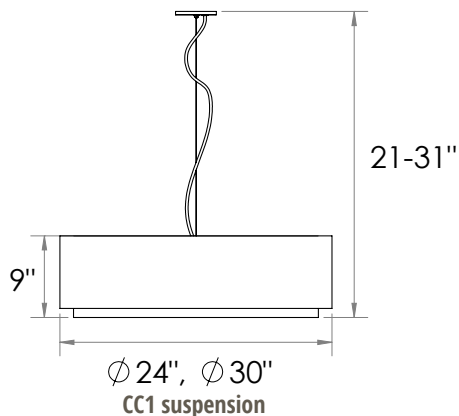


NT finish, SSM suspension

Notes: (0) 90R - cannot be combined with ES. (1) BAC - cannot be combined with FCL. (2) BBI/BBS/BBC - cannot be combined with ECW, EXT, or T24. (3) BLD - includes integral OCC sensor (do not combine with OCC option). Cannot be combined with DTR or T24. (4) DTR - cannot be combined with BLD or T24. (5) ECW - cannot be combined with BBI, BBC, or DTR. (6) ES - cannot be combined with 90R or T24. (7) FCL - cannot be combined with BAC or T24. (8) OCC - integral ON/OFF occupancy sensor. (9) T24 - includes JA8 labeling and 90 CRI LEDs (do not combine with 90R option). Cannot be combined with BBI, BBC, BBS, BLD, DTR, ES, or FCL. (10) BBS - cannot be combined with BLD, ECW, EXT, OCC, or T24. (11) PCH/PC4 - cannot be combined with BLD or OCC.
Add'l Notes: *BBI/BBS/BBC - standard BBI (and BBS) option has a minimum operating temperature of 10C/50F. BBC option has a minimum operating temperature of -20C/-4F. **BLD - integral OCC sensor with onboard control. 1: Motion is detected, illuminate to 100%. 2: Motion no longer detected, dim to 50% (factory default), 30%, 20% or 10%. 3: Remain in continuous dimmed state (factory default) or turn off after set period.

Specifications and dimensions subject to change without notice.

Consult your Brownlee Lighting representative for availability and ordering information.



DAMP



ORDERING INFORMATION

2608

Model

2.

3.

4.

5.

6.

7. (if required)

2. SIZE

24 24" dia.
30 30" dia.

3. FINISH

CC1 & CC3
BL Black
NT Nickel Tone
WH White

SCM & SSM
BL Black
BZ Bronze
GM Gun Metal
MB Metallic Bronze
MG Metallic Gold
NT Nickel Tone
PL Platinum
WH White

4. WATTAGE

C37 35W C Series LED
C49 45W C Series LED

5. SUSPENSION

CC1 Cord & Single Cable
CC3 Cord & Three Cable
SCM Stem & Cable Mount
SSM Single Stem Mount

6. COLOR TEMPERATURE

35K 3500K color temperature
27K 2700K color temperature
30K 3000K color temperature
40K 4000K color temperature

7. AVAILABLE OPTIONS

90R⁰ 90 CRI (3000K only)
BAC¹ Buy American Compliant
CE1 3' - 10' Cord/Cable Extension (CC1 & CC3 only)
CE2 10' - 20' Cord/Cable Extension (CC1 & CC3 only)
DTR⁴ Triac (Line Voltage) Dimming (120V)
ES⁶ ENERGY STAR® (Not available in 90 CRI)
FCL⁷ French Canadian Labels
T24⁹ Title 24 JA8 Compliant (C49 in 3000K only)

ACCESSORIES (field installed - order separately)

390001xx SCM Extension Kit: includes (1) 1' stem and (2) 2' stems. 5' combined max. Specify finish (xx)
390002xx SSM Extension Kit: includes (1) 1' stem and (2) 2' stems. 5' combined max. Specify finish (xx)

Notes: (0) **90R** - cannot be combined with **ES**. (1) **BAC** - cannot be combined with **FCL**. (2) **BBI/BBS/BBC** - cannot be combined with **ECW**, **EXT**, or **T24**. (3) **BLD** - includes integral OCC sensor (do not combine with OCC option). Cannot be combined with **DTR** or **T24**. (4) **DTR** - cannot be combined with **BLD** or **T24**. (5) **ECW** - cannot be combined with **BBI**, **BBC**, or **DTR**. (6) **ES** - cannot be combined with **90R** or **T24**. (7) **FCL** - cannot be combined with **BAC** or **T24**. (8) **OCC** - integral ON/OFF occupancy sensor. (9) **T24** - includes JA8 labeling and 90 CRI LEDs (do not combine with 90R option). Cannot be combined with **BBI**, **BBC**, **BBS**, **BLD**, **DTR**, **ES**, or **FCL**. (10) **BBS** - cannot be combined with **BLD**, **ECW**, **EXT**, **OCC**, or **T24**. (11) **PCH/PC4** - cannot be combined with **BLD** or **OCC**.
Add'l Notes: ***BBI/BBS/BBC** - standard **BBI** (and **BBS**) option has a minimum operating temperature of 10C/50F. **BBC** option has a minimum operating temperature of -20C/-4F. ****BLD** - integral OCC sensor with onboard control. 1: Motion is detected, illuminate to 100%. 2: Motion no longer detected, dim to 50% (factory default), 30%, 20% or 10%. 3: Remain in continuous dimmed state (factory default) or turn off after set period.

Specifications and dimensions subject to change without notice.

Consult your Brownlee Lighting representative for availability and ordering information.

BROWNLEE
LIGHTING
www.brownlee.com

REVISED
2020.12.23