



1250 LED

At just 1.25" dia., TRACE incorporates Brownlee's slimmest luminaire profile to date. Intended for bathroom vanity applications, hallways, lobbies, and more. Subtle aesthetic, big performance, high quality construction. TRACE MINI features an offset mounting position offered in the 1' size only. Refer to Model #: 5200 for three center-mount sizes (1', 2', 3').

FINISHES



TRACE MINI

STANDARD SPECIFICATIONS

FIXTURE ASSEMBLY

Ultra compact 1.25" dia. profile. Assembly is comprised of an aluminum extrusion with die-cast aluminum end caps and a spun aluminum canopy. No visible hardware other than a single set-screw on the canopy, strategically located behind extruded profile. High-quality extruded frosted acrylic diffuser. UV stabilized.

LED PERFORMANCE

3500K standard, 90+ CRI - L80 rating - 60,000 hrs - L70 rating (projected) - 100,000 hrs
Amperage rated @ 110V input. Operating ambient temperature: -20°C / -4°F - 40°C / 104°F
Delivered 3500K lumens noted. Consult Brownlee.com for performance of all CCTs.

13" Size

H09: 9W nominal, 0.08A input - 840 lm. Dimmable (0-10V), 120-277V.

MOUNTING

Fixture mounts to a 4" x 1.5" deep* octagonal j-box (not included - by others).

*Driver stored in j-box as a standard offering. 1.5" minimum depth j-box required.

Refer to Options section for Extended Canopy (EXT) if driver cannot be mounted in j-box.

Fixture assembly ships pre-assembled for simplified installation. Indoors only.

FINISH

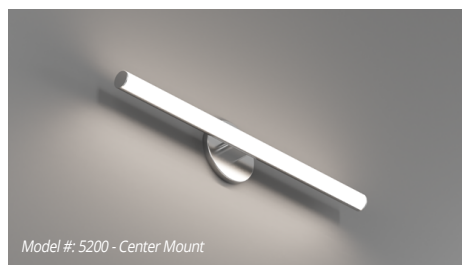
Electroplated brushed nickel is the standard finish.

Optional finishes available (non-returnable).

WARRANTY

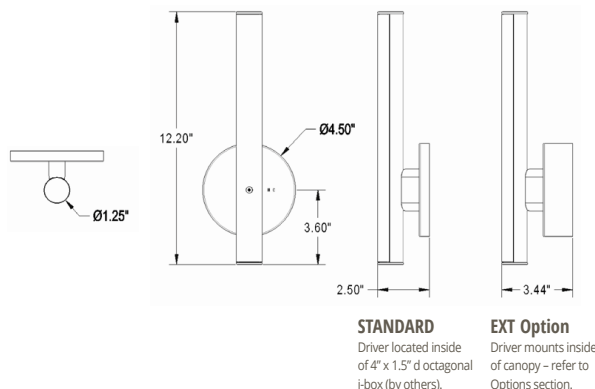
5 year limited warranty on this LED product. Consult factory for details.

Refer to Model #: 5200 for three center-mount sizes (1', 2', 3'). Pictured below.



Model #: 5200 - Center Mount

PROJECT:
MODEL #:
FIXTURE TYPE:



ORDERING INFORMATION



DAMP



1250 - 2 - 3 - 4 - 5. (if required)
Model 2. 3. 4. 5. (if required)

2. FINISH

STANDARD
BN Brushed Nickel

OPTIONAL
BL Black
BZ Bronze
MG Metallic Gold
WH White

Note: Optional finishes are non-returnable.

3. WATTAGE

13 SIZE
H09 9W H Series LED

4. COLOR TEMPERATURE

35K 3500K standard color temperature
30K 3000K color temperature
40K 4000K color temperature

Note: 27K available, contact factory, non-returnable.

5. AVAILABLE OPTIONS

EXT Extended Canopy (Driver In Canopy)
Canopy dimensions: 4.5" dia. x 1.5" d
Total fixture depth: 3.5" d
DTR⁴ Triac (Line Voltage) Dimming (120V)
FCL⁷ French Canadian Labels
T24⁹ Title 24 JA8 Compliant (H16 & H25 only)

Universal Footnotes (only applies if option is listed on spec sheet): (0) 90R - 90 CRI output-loss multiplier: 0.85 (estimate). Cannot be combined with ES. (1) BAC - cannot be combined with FCL. (2) BBI/BBS/BBC - cannot be combined with ECW or EXT. (3) BLD - includes integral microwave motion sensor (do not combine with OCC option). Cannot be combined with DTR. (4) DTR - cannot be combined with BLD. (5) ECW - cannot be combined with BBI, BBC, or DTR. (6) ES - cannot be combined with 90R or T24. (7) FCL - cannot be combined with BAC. (8) OCC - integral microwave motion sensor (ON/OFF). (9) T24 - includes JA8 labeling and 90 CRI LEDs (do not combine with 90R option). Cannot be combined with ES. (10) PCH/PC4 - cannot be combined with BLD or OCC. **Add'l Notes:** *BBI/BBC - BBI minimum operating temp: 10C/50F unless otherwise stated. BBC minimum operating temp: -20C/-4F. **BLD - integral microwave motion sensor with step-dim control. 1: Motion is detected, illuminate to 100%. 2: Motion no longer detected, dim to set level. 3: Remain in continuous dimmed state or turn off after set period. Configurable via onboard dip switches.

Specifications and dimensions subject to change without notice.

Consult your Brownlee Lighting representative for availability and ordering information.

BROWNLEE
LIGHTING
www.brownlee.com

REVISED
2023.11.02