

7327 LED

STANDARD SPECIFICATIONS

HOUSING

The modern design is a one piece housing assembly with the diffuser held in place by formed rails. The assembly consists of formed, cold rolled steel parts that welded and fastened with hardware. This fixture is not recommended for installation along coastal areas. Contact factory for further details.

DIFFUSER

A simple white UV stabilized acrylic panel provides an understated elegance to this sleek design.

LED PERFORMANCE - 3500K STANDARD

120-277V - 3500K, 82 CRI - L80 rating - 60,000 hrs - L70 rating (projected) - 100,000 hrs

Source lumens noted. Amperage rated @ 110V input

Dimming compatible - 0-10V control required

Operating ambient temperature: -20°C / -4°F - 40°C / 104°F

F23LED - 23W nominal, .14 A input - 2762 lm - 122 lm/W

F45LED - 45W nominal, .26 A input - 5500 lm - 124 lm/W

MOUNTING

The 7327 series is designed to be mounted directly to a j-box (by others), and additional wall anchors (by others) at the ends of the fixture.

FINISH

The 7327 series is available in Nickel Tone as a standard, and in all Brownlee paints as an optional offering.

WARRANTY

5 year limited warranty on this LED product. Consult factory for details.

ORDERING INFORMATION

7327 - _____
 Model 2. 3. 4. (if required)

2. FINISH

STANDARD
NT Nickel Tone

OPTIONAL
AB Antique Bronze
AC Antique Copper
AG Antique Gold
AS Antique Silver
BL Black
BR Brick
BZ Bronze
DB Desert Bronze
DS Desert Stone
GM Gun Metal
MB Metallic Bronze
OL Oak Leaf
PL Platinum
RB Rustic Bronze
RC Rustic Copper
TB Textured Black
WH White

CUSTOM
 Provide color sample or RAL code to match

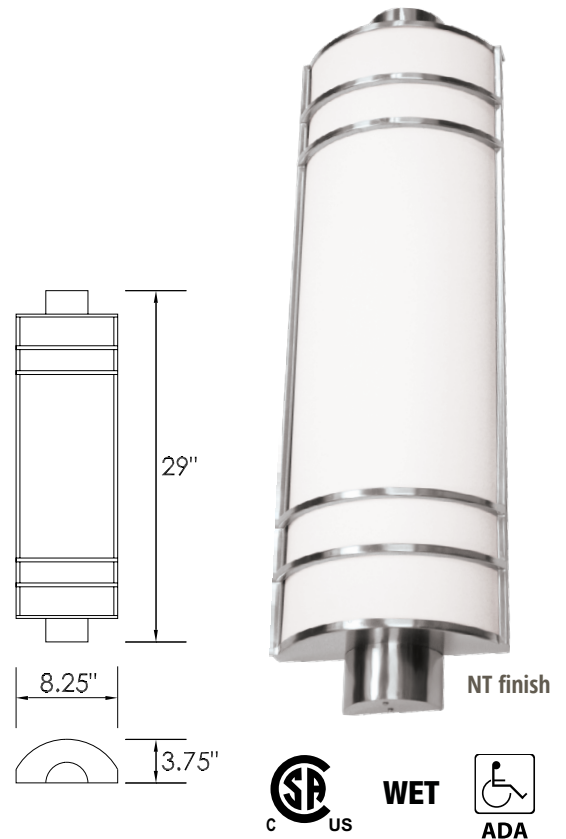
3. WATTAGE

F23LED 1-F Series board
F45LED 2-F Series boards

PROJECT:

MODEL #:

FIXTURE TYPE:



4. AVAILABLE OPTIONS

30K 3000K color temperature
 F23LED - 2715 lm - 120 lm/W
 F45LED - 5117 lm - 116 lm/W
40K 4000K color temperature
 F23LED - 2853 lm - 126 lm/W
 F45LED - 5904 lm - 134 lm/W
BAC Buy American Compliant
ECW Extreme Cold Weather (-40°C / -40°F min.)

Note: F-Series LED system comes standard with dimming driver (DIM).

Specifications and dimensions subject to change without notice.

Consult your Brownlee Lighting representative for availability and ordering information.

7327

STANDARD SPECIFICATIONS

HOUSING

The modern design is a one piece housing assembly with the diffuser held in place by formed rails. The assembly consists of formed, cold rolled steel parts that welded and fastened with hardware. This fixture is not recommended for installation along coastal areas. Contact factory for further details.

DIFFUSER

A simple white UV stabilized acrylic panel provides an understated elegance to this sleek design.

ELECTRICAL

FT CFL, 4-pin 2G11 Base 3000K lamp – 120-277V Electronic HPF Ballast
 T5 Linear Fluorescent, bipin lamp (by others) – 120-277V Electronic HPF Ballast
 T5HO Linear Fluorescent, bipin lamp (by others) – 120-277V Electronic HPF Ballast

Fluorescent fixtures utilizing an occupancy sensor should include a programmed start HPF ballast. Fluorescent lamps powered by instant start or rapid start ballasts, or GU24 base compact fluorescent lamps used in this application may result in severely shortened lamp life and/or ballast damage.

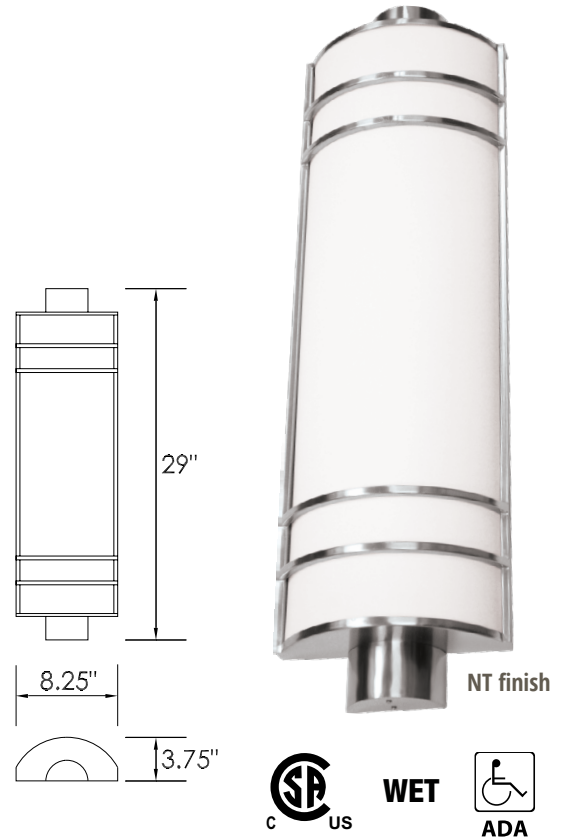
MOUNTING

The 7327 series is designed to be mounted directly to a j-box (by others), and additional wall anchors (by others) at the ends of the fixture.

FINISH

The 7327 series is available in Nickel Tone as a standard, and in all Brownlee paints as an optional offering.

| |
|----------------------|
| PROJECT: |
| MODEL #: |
| FIXTURE TYPE: |



ORDERING INFORMATION

7327 - _____ - _____ - _____
 Model 2. 3. 4. (if required)

2. FINISH

STANDARD
NT Nickel Tone

OPTIONAL
AB Antique Bronze
AC Antique Copper
AG Antique Gold
AS Antique Silver
BL Black
BR Brick
BZ Bronze
DB Desert Bronze
DS Desert Stone
GM Gun Metal
MB Metallic Bronze
OL Oak Leaf
PL Platinum
RB Rustic Bronze
RC Rustic Copper
TB Textured Black
WH White

CUSTOM
 Provide color sample or RAL code to match

3. WATTAGE

36F 1-36/39W FT CFL, elec. HPF
55F 1-55W FT CFL, elec. HPF

214L 2-14W T5, elec. HPF
224L 2-24W T5HO, elec. HPF

4. AVAILABLE OPTIONS

BAC Buy American Compliant