

2614 LED

DISCONTINUED

CHECK FACTORY STOCK

STANDARD SPECIFICATIONS

DIFFUSER

The designer drum features UV stabilized frosted acrylic sides with die-cut inserts for a unique addition to any interior. The drum is constructed with a high transmission white acrylic bottom, and lightly brushed chrome trim at the top and bottom of the sides. The inserts are available in two styles. The fixture can be cleaned with a damp cloth.

HOUSING

Formed, cold rolled steel design, finished in a high reflectance powder coat white.

LED PERFORMANCE - 3500K STANDARD

120-277V - 3500K, 82 CRI - L80 rating - 60,000 hrs - L70 rating (projected) - 100,000 hrs
Amperage rated @ 110V input
Operating ambient temperature: -20°C / -4°F - 40°C / 104°F

Standard 3500K source lumens noted. Consult Brownlee.com for performance of all CCTs.
C37 - 35W nominal, .30 A input - 4380 lm - 126 lm/W. Dimmable (0-10V).
C49 - 45W nominal, .40 A input - 5900 lm - 131 lm/W. Dimmable (0-10V).

MOUNTING

Directly to j-box (by others). Mounting hardware included.

PROJECT:

MODEL #:

FIXTURE TYPE:

WARRANTY

5 year limited warranty on this LED product. Consult factory for details.

SUSPENSION SYSTEM

The 2614 Series is available in multiple colors and four suspension methods:

CC1 - Cord & Single Cable: Both the power cord and aircraft cable can be trimmed in the field. See optional ordering code C10 and C20 for extended 10' and 20' drops.

CC3 - Cord & Three Cable: Both the power cord and aircraft cables can be trimmed in the field. See optional ordering code C10 and C20 for extended 10' and 20' drops.

SCM - Stem & Cable Mount: Steel stem in your choice of finish with three aircraft cables. The standard overall height (OAH) can be extended with additional stem sections in 1' and 2' intervals - see accessories section.

SSM - Single Stem Mount: Traditional pendant style. Steel stem in your choice of finish. The standard overall height (OAH) can be extended with additional stem sections in 1' and 2' intervals - see accessories section.



NT finish, INF diffuser, CC1 suspension



NT finish, VSN diffuser, CC3 suspension



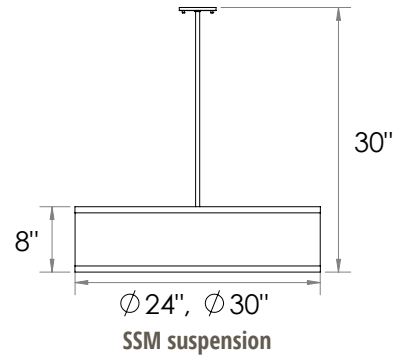
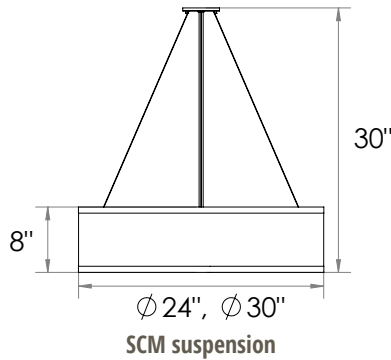
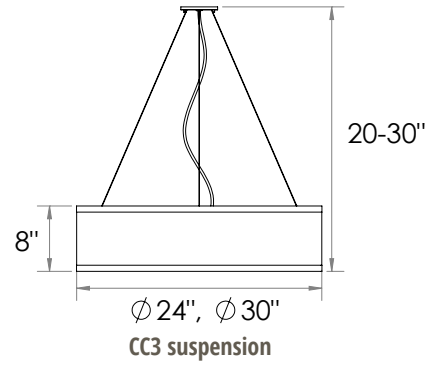
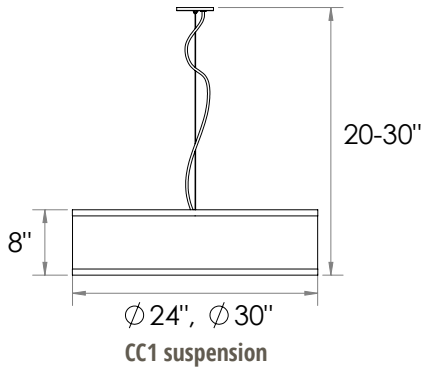
NT finish, INF diffuser, SCM suspension



NT finish, VSN diffuser, SSM suspension

Specifications and dimensions subject to change without notice.

Consult your Brownlee Lighting representative for availability and ordering information.



ORDERING INFORMATION

2614

Model 2. 3. 4. 5. 6. 7. 8. (if required)

2. SIZE

24 24" dia.
30 30" dia.

3. FINISH

CC1 & CC3
BL Black
NT Nickel Tone
WH White

SCM & SSM
BL Black
BZ Bronze
GM Gun Metal
MB Metallic Bronze
MG Metallic Gold
NT Nickel Tone
PL Platinum
WH White

4. WATTAGE

C37 35W C Series LED
C49 45W C Series LED

5. DIFFUSER

INF Infinity
VSN Vision

6. SUSPENSION

CC1 Cord & Single Cable
CC3 Cord & Three Cable
SCM Stem & Cable Mount
SSM Single Stem Mount

7. COLOR TEMPERATURE

35K 3500K color temperature
27K 2700K color temperature
30K 3000K color temperature
40K 4000K color temperature

8. AVAILABLE OPTIONS

90R⁰ 90 CRI (3000K only)
BAC¹ Buy American Compliant
C10 3' - 10' Cord/Cable Extension (CC1 & CC3 only)
C20 10' - 20' Cord/Cable Extension (CC1 & CC3 only)
DTR⁴ Triac (Line Voltage) Dimming (120V)
ES⁶ ENERGY STAR® (Not available in 90 CRI)
FCL⁷ French Canadian Labels
T24⁹ Title 24 Compliant (C49 in 3000K only)

ACCESSORIES (field installed - order separately)

390001xx SCM Extension Kit: includes (1) 1' stem and (2) 2' stems. 5' combined max. Specify finish (xx)
390002xx SSM Extension Kit: includes (1) 1' stem and (2) 2' stems. 5' combined max. Specify finish (xx)
320029WHA Top Cover Set: 24 size, White Acrylic
320030WHA Top Cover Set: 30 size, White Acrylic

Notes: (0) **90R** - cannot be combined with ES or T24 (1) **BAC** - cannot be combined with FCL (2) **BBI/BBS/BBC** - cannot be combined with DTR, ECW, EXT, or T24 (3) **BLD** - cannot be combined with DTR, OCC, or T24 (4) **DTR** - cannot be combined with BBI, BBC, BBS, BLD or T24 (5) **ECW** - cannot be combined with BBI, BBC, or DTR (6) **ES** - cannot be combined with 90R, DTR, FCL, or T24 (7) **FCL** - cannot be combined with BAC, ES, or T24 (8) **OCC** - cannot be combined with BLD (9) **T24** - cannot be combined with 90R, BBI, BBC, BBS, BLD, DTR, ES, or FCL (10) **BBS** - cannot be combined with BLD, DTR, ECW, EXT, OCC, or T24 (11) **PCH/PC4** - cannot be combined with BLD or OCC

Add'l Notes: ***BBI/BBS/BBC** - standard BBI (and BBS) option has a minimum operating temperature of 10C/50F. BBC option has a minimum operating temperature of -20C/-4F. ****BLD** - Bi-Level Dimming is field adjustable from 100% to a dimmed light level of 10, 20, 30, or 50%. All units are factory set at 50%.

Specifications and dimensions subject to change without notice.

Consult your Brownlee Lighting representative for availability and ordering information.

