

2352 LED

UPGRADED
SEE MODEL 2614

STANDARD SPECIFICATIONS

TRIM

Cold rolled steel stem and canopy, and stainless steel aircraft cable accents. All trim pieces are available in any Brownlee finish.

HOUSING

Manufactured using cold rolled steel with a baked on, high reflectance white finish.

DIFFUSER

Translucent, UV stabilized frosted acrylic. The drum insert features a unique design that is die-cut from white acrylic.

LED PERFORMANCE - 3500K STANDARD

120-277V - 3500K, 82 CRI - L80 rating - 60,000 hrs - L70 rating (projected) - 100,000 hrs
Source lumens noted. Amperage rated @ 110V input
Operating ambient temperature: -20°C / -4°F - 40°C / 104°F

C37LED - 37W nominal, .30 A input - 3641 lm - 99 lm/W
C49LED - 49W nominal, .40 A input - 4876 lm - 100 lm/W

MOUNTING

The 2352 is designed to be mounted directly to a j-box (by others).

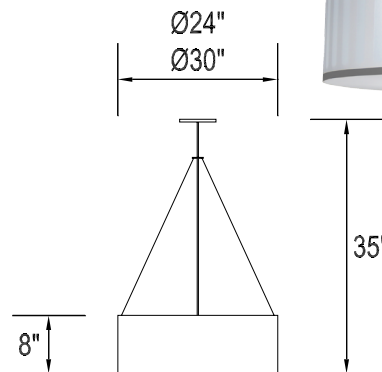
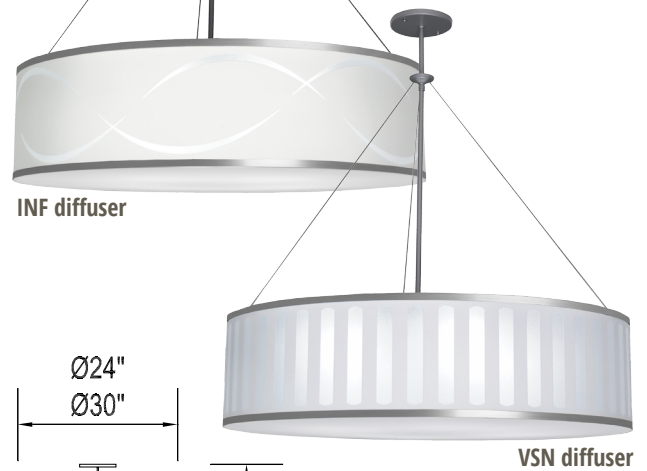
FINISH

The 2352 series is available in all Brownlee paint finishes as a standard offering.

WARRANTY

5 year limited warranty on this LED product. Consult factory for details.

PROJECT:
MODEL #:
FIXTURE TYPE:



DRY

ORDERING INFORMATION

2352

Model - 2. - 3. - 4. - 5. - 6. (if required)

2. SIZE

24 24" dia.
30 30" dia.

3. FINISH

STANDARD

AG Antique Gold
BL Black
BR Brick
BZ Bronze
DS Desert Stone
GM Gun Metal
MB Metallic Bronze
NT Nickel Tone
OL Oak Leaf
PL Platinum
RB Rustic Bronze
RC Rustic Copper
WH White

CUSTOM

Provide color sample or RAL code to match

4. WATTAGE

C37LED 3-C Series boards
C49LED 4-C Series boards

5. DIFFUSER

INF Infinity
VSN Vision

6. AVAILABLE OPTIONS

27K 2700K color temperature
C37LED - 3080 lm - 83 lm/W
C49LED - 4124 lm - 84 lm/W

30K 3000K color temperature
C37LED - 3512 lm - 95 lm/W
C49LED - 4702 lm - 96 lm/W

40K 4000K color temperature
C37LED - 3707 lm - 100 lm/W
C49LED - 4702 lm - 96 lm/W

BAC Buy American Compliant

DALI Dali Compatible (0-10v dimming included) (C49LED only)

DIM Dimming driver (120-277V) (0-10V dimming control required)

ES ENERGY STAR®

SVL Swivel Canopy / Slope Ceiling

Specifications and dimensions subject to change without notice.

Consult your Brownlee Lighting representative for availability and ordering information.

2352

STANDARD SPECIFICATIONS

UPGRADED
SEE MODEL 2614

TRIM

Cold rolled steel stem and canopy, and stainless steel aircraft cable accents. All trim pieces are available in any Brownlee finish.

HOUSING

Manufactured using cold rolled steel with a baked on, high reflectance white finish.

DIFFUSER

Translucent, UV stabilized frosted acrylic. The drum insert features a unique design that is die-cut from white acrylic.

ELECTRICAL

Quad CFL, 4-pin G24q Base 2700K lamp – 120-277V Electronic HPF Ballast
Triple CFL, 4-pin GX24Q Base 2700K lamp – 120-277V Electronic HPF Ballast
GU24 CFL, 2-prong Base 2700K lamp – 120V Electronic NPF Ballast

Brownlee Lighting does not recommend GU24 base lamps for 24 hour operation due to lamp manufacturer specifications.

Fluorescent fixtures utilizing an occupancy sensor should include a programmed start HPF ballast. Fluorescent lamps powered by instant start or rapid start ballasts, or GU24 base compact fluorescent lamps used in this application may result in severely shortened lamp life and/or ballast damage.

MOUNTING

The 2352 is designed to be mounted directly to a j-box (by others).

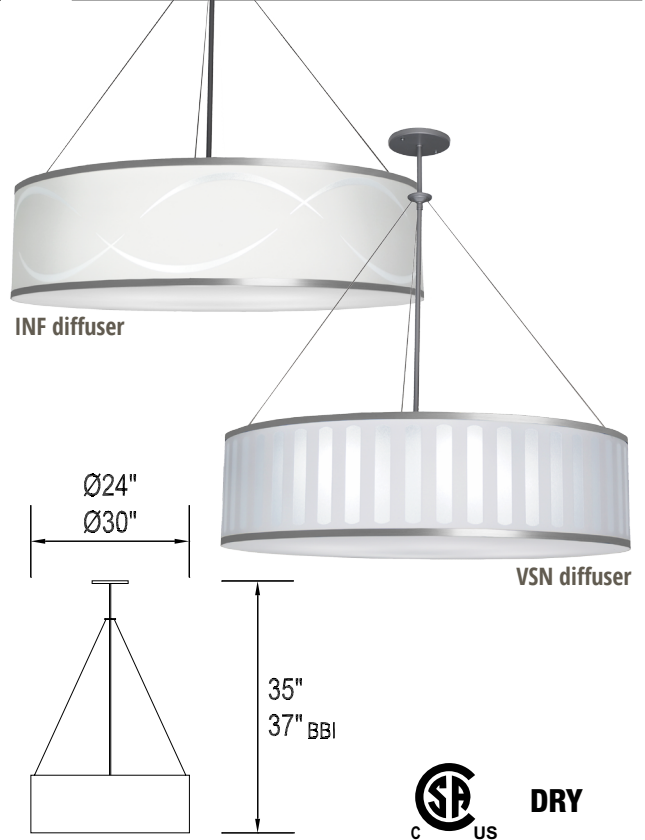
FINISH

The 2352 series is available in all Brownlee paint finishes as a standard offering.

ORDERING INFORMATION

2352 - _____
Model 2. 3. 4. 5. 6. (if required)

PROJECT:
MODEL #:
FIXTURE TYPE:



2. SIZE

24 24" dia.
30 30" dia.

3. FINISH

STANDARD
AG Antique Gold
BL Black
BR Brick
BZ Bronze
DS Desert Stone
GM Gun Metal
MB Metallic Bronze
NT Nickel Tone
OL Oak Leaf
PL Platinum
RB Rustic Bronze
RC Rustic Copper
WH White

CUSTOM
Provide color sample or RAL code to match

4. WATTAGE

413Q 4-13W Quad CFL, elec. HPF
418Q 4-18W Quad CFL, elec. HPF
326Q 3-26W Quad CFL, elec. HPF
426Q 4-26W Quad CFL, elec. HPF
332T 3-32W Triple CFL, elec. HPF
432T 4-32W Triple CFL, elec. HPF
342T 3-42W Triple CFL, elec. HPF
442T 4-42W Triple CFL, elec. HPF
413G 4-13W GU24 CFL, elec. NPF
318G 3-18W GU24 CFL, elec. NPF
418G 4-18W GU24 CFL, elec. NPF

5. DIFFUSER

INF Infinity
VSN Vision

6. AVAILABLE OPTIONS

BAC Buy American Compliant
BBI¹ Integral Battery Backup (Q & T only, adds 2" to depth)
DIM1 Dimming Ballast (120V) (Q & T only)
DIM2 Dimming Ballast (277V) (Q & T only)
ES3 ENERGY STAR® (elec., NPF) (G only)
ES4 ENERGY STAR® (elec., HPF) (Q only)
SVL Swivel Canopy / Slope Ceiling

1) BBI & BBR options have an operating temperature of +32°F to +122°F. BBIC & BBRC options have an operating temperature of -4°F to +131°F. BBR & BBRC are field installed options available on all HPF fluorescent (CFL & T8) fixtures, except those with dimming ballasts. The maximum distance between the battery and the fixture is 10' for HPF ballasts.

Specifications and dimensions subject to change without notice.

Consult your Brownlee Lighting representative for availability and ordering information.