

2347 LED

UPGRADED
SEE MODEL 2614

STANDARD SPECIFICATIONS

TRIM

Cold rolled steel stem and canopy, and stainless steel aircraft cable accents. All trim pieces are available in any Brownlee finish.

HOUSING

Manufactured using cold rolled steel with a baked on, high reflectance white finish.

DIFFUSER

Translucent, UV stabilized frosted acrylic. The drum insert features a unique design that is die-cut from white acrylic.

LED PERFORMANCE - 3500K STANDARD

120-277V - 3500K, 82 CRI - L80 rating - 60,000 hrs - L70 rating (projected) - 100,000 hrs
Source lumens noted. Amperage rated @ 110V input
Operating ambient temperature: -20°C / -4°F - 40°C / 104°F

C37LED - 37W nominal, .30 A input - 3641 lm - 99 lm/W
C49LED - 49W nominal, .40 A input - 4876 lm - 100 lm/W

MOUNTING

The 2347 is designed to be mounted directly to a j-box (by others).

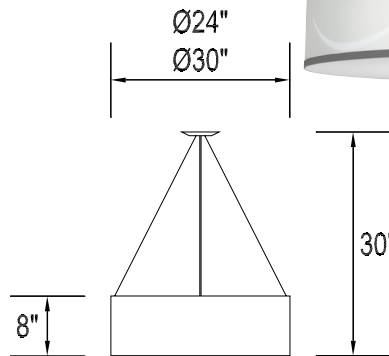
FINISH

The 2347 series is available in all Brownlee paint finishes as a standard offering.

WARRANTY

5 year limited warranty on this LED product. Consult factory for details.

PROJECT:
MODEL #:
FIXTURE TYPE:



DRY

ORDERING INFORMATION

2347

Model 2. 3. 4. 5. 6. (if required)

2. SIZE

24 24" dia.
30 30" dia.

3. FINISH

STANDARD
AG Antique Gold
BL Black
BR Brick
BZ Bronze
DS Desert Stone
GM Gun Metal
MB Metallic Bronze
NT Nickel Tone
OL Oak Leaf
PL Platinum
RB Rustic Bronze
RC Rustic Copper
WH White

CUSTOM
Provide color sample or RAL code to match

4. WATTAGE

C37LED 3-C Series boards
C49LED 4-C Series boards

5. DIFFUSER

INF Infinity
VSN Vision

6. AVAILABLE OPTIONS

27K 2700K color temperature
C37LED - 3080 lm - 83 lm/W
C49LED - 4124 lm - 84 lm/W
30K 3000K color temperature
C37LED - 3512 lm - 95 lm/W
C49LED - 4702 lm - 96 lm/W
40K 4000K color temperature
C37LED - 3707 lm - 100 lm/W
C49LED - 4702 lm - 96 lm/W
BAC Buy American Compliant
DALI Dali Compatible (0-10v dimming included) (C49LED only)
DIM Dimming driver (120-277V) (0-10V dimming control required)
ES ENERGY STAR®
SSM Single Stem Mount (24 size only)

Specifications and dimensions subject to change without notice.
Consult your Brownlee Lighting representative for availability and ordering information.

2347

STANDARD SPECIFICATIONS

UPGRADED
SEE MODEL 2614

TRIM

Cold rolled steel stem and canopy, and stainless steel aircraft cable accents. All trim pieces are available in any Brownlee finish.

HOUSING

Manufactured using cold rolled steel with a baked on, high reflectance white finish.

DIFFUSER

Translucent, UV stabilized frosted acrylic. The drum insert features a unique design that is die-cut from white acrylic.

ELECTRICAL

Quad CFL, 4-pin G24q Base 2700K lamp – 120-277V Electronic HPF Ballast
Triple CFL, 4-pin GX24Q Base 2700K lamp – 120-277V Electronic HPF Ballast
GU24 CFL, 2-prong Base 2700K lamp – 120V Electronic NPF Ballast

Brownlee Lighting does not recommend GU24 base lamps for 24 hour operation due to lamp manufacturer specifications.

Fluorescent fixtures utilizing an occupancy sensor should include a programmed start HPF ballast. Fluorescent lamps powered by instant start or rapid start ballasts, or GU24 base compact fluorescent lamps used in this application may result in severely shortened lamp life and/or ballast damage.

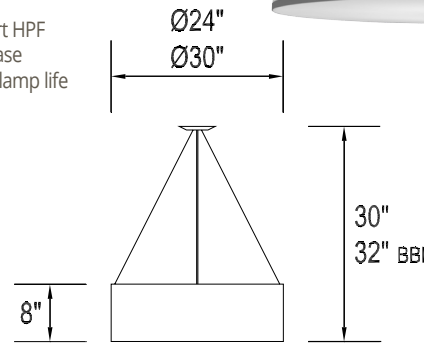
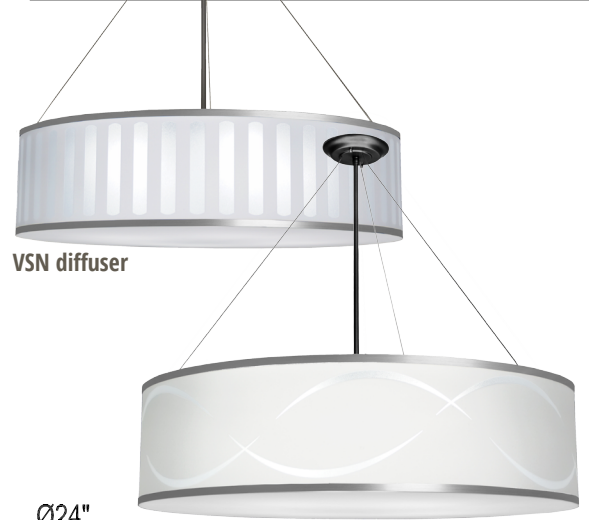
MOUNTING

The 2347 is designed to be mounted directly to a j-box (by others).

FINISH

The 2347 series is available in all Brownlee paint finishes as a standard offering.

PROJECT:
MODEL #:
FIXTURE TYPE:



ORDERING INFORMATION

2347	-	-	-	-	-	-
Model	2.	3.	4.	5.	6. (if required)	

2. SIZE	3. FINISH	4. WATTAGE	5. DIFFUSER	6. AVAILABLE OPTIONS
24 24" dia.	STANDARD AG Antique Gold BL Black BR Brick BZ Bronze DS Desert Stone GM Gun Metal MB Metallic Bronze NT Nickel Tone OL Oak Leaf PL Platinum RB Rustic Bronze RC Rustic Copper WH White CUSTOM Provide color sample or RAL code to match	413Q 4-13W Quad CFL, elec. HPF 418Q 4-18W Quad CFL, elec. HPF 326Q 3-26W Quad CFL, elec. HPF 426Q 4-26W Quad CFL, elec. HPF 332T 3-32W Triple CFL, elec. HPF 432T 4-32W Triple CFL, elec. HPF 342T 3-42W Triple CFL, elec. HPF 442T 4-42W Triple CFL, elec. HPF 413G 4-13W GU24 CFL, elec. NPF 318G 3-18W GU24 CFL, elec. NPF 418G 4-18W GU24 CFL, elec. NPF	INF Infinity VSN Vision	BAC Buy American Compliant BB1¹ Integral Battery Backup (Q & T only, adds 2" to depth) DIM1 Dimming Ballast (120V) (Q & T only) DIM2 Dimming Ballast (277V) (Q & T only) ES3 ENERGY STAR® (elec., NPF) (G only) ES4 ENERGY STAR® (elec., HPF) (Q only) SSM Single Stem Mount (24 size only)
30 30" dia.				

1) BBI & BBR options have an operating temperature of +32°F to +122°F. BBIC & BBRC options have an operating temperature of -4°F to +131°F. BBR & BBRC are field installed options available on all HPF fluorescent (CFL & T8) fixtures, except those with dimming ballasts. The maximum distance between the battery and the fixture is 10' for HPF ballasts.

Specifications and dimensions subject to change without notice.

Consult your Brownlee Lighting representative for availability and ordering information.