

# 2344 LED

**UPGRADED**  
SEE MODEL 2600

## STANDARD SPECIFICATIONS

### TRIM

Cold rolled steel stem and canopy, and additional aircraft cable accents. All trim pieces available in any Brownlee finish.

### DIFFUSER

Translucent, UV stabilized white acrylic. The drum shape features a twist on the classic lampshade look. The material is bonded to walls of the drum, and is available in multiple styles.

### HOUSING

Formed, cold rolled steel design, finished in a high reflectance powder coat white.

### LED PERFORMANCE - 3500K STANDARD

120-277V - 3500K, 82 CRI - L80 rating - 60,000 hrs - L70 rating (projected) - 100,000 hrs  
Source lumens noted. Amperage rated @ 110V input  
Operating ambient temperature: -20°C / -4°F - 40°C / 104°F

C37LED - 37W nominal, .30 A input - 3641 lm - 99 lm/W  
C49LED - 49W nominal, .40 A input - 4876 lm - 100 lm/W

### MOUNTING

Directly to j-box (by others). Mounting hardware included.

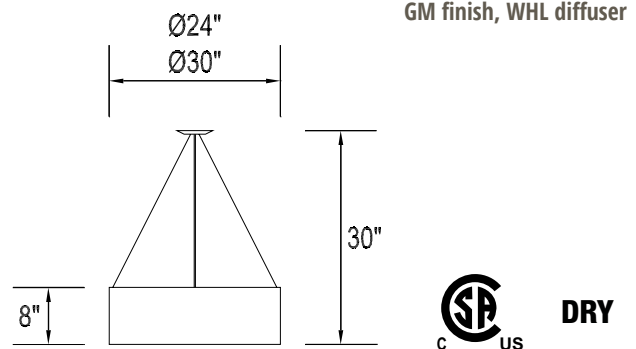
### FINISH

The 2344 series is available in all Brownlee paint finishes as a standard offering.

### WARRANTY

5 year limited warranty on this LED product. Consult factory for details.

<b>PROJECT:</b>
<b>MODEL #:</b>
<b>FIXTURE TYPE:</b>



## ORDERING INFORMATION

**2344**

Model      2.      3.      4.      5.      6. (if required)

### 2. SIZE

**24** 24" dia.  
**30** 30" dia.

### 3. FINISH

**STANDARD**  
**AG** Antique Gold  
**BL** Black  
**BR** Brick  
**BZ** Bronze  
**DS** Desert Stone  
**GM** Gun Metal  
**MB** Metallic Bronze  
**NT** Nickel Tone  
**OL** Oak Leaf  
**PL** Platinum  
**RB** Rustic Bronze  
**RC** Rustic Copper  
**WH** White

**CUSTOM**  
Provide color sample or  
RAL code to match

### 4. WATTAGE

**C37LED** 3-C Series boards  
**C49LED** 4-C Series boards

### 5. DIFFUSER

**MAL** Mahogany Linen  
**NAL** Natural Linen  
**ROW** Rolling Waves  
**WHL** White Linen

### 6. AVAILABLE OPTIONS

**27K** 2700K color temperature  
C37LED - 3080 lm - 83 lm/W  
C49LED - 4124 lm - 84 lm/W

**30K** 3000K color temperature  
C37LED - 3512 lm - 95 lm/W  
C49LED - 4702 lm - 96 lm/W

**40K** 4000K color temperature  
C37LED - 3707 lm - 100 lm/W  
C49LED - 4702 lm - 96 lm/W

**BAC** Buy American Compliant

**DALI** Dali Compatible (0-10v dimming included)  
(C49LED only)

**DIM** Dimming driver (120-277V)  
(0-10V dimming control required)

**ES** ENERGY STAR®

**SSM** Single Stem Mount (24 size only)

Specifications and dimensions subject to change without notice.  
Consult your Brownlee Lighting representative for availability and ordering information.

# 2344

## STANDARD SPECIFICATIONS

**UPGRADED**  
SEE MODEL 2600

<b>PROJECT:</b>
<b>MODEL #:</b>
<b>FIXTURE TYPE:</b>

### TRIM

Cold rolled steel stem and canopy, and additional aircraft cable accents. All trim pieces available in any Brownlee finish.

### DIFFUSER

Translucent, UV stabilized white acrylic. The drum shape features a twist on the classic lampshade look. The material is bonded to walls of the drum, and is available in multiple styles.

### HOUSING

Formed, cold rolled steel design, finished in a high reflectance powder coat white.

### ELECTRICAL

Quad CFL, 4-pin G24q Base 2700K lamp – 120-277V Electronic HPF Ballast  
Triple CFL, 4-pin GX24Q Base 2700K lamp – 120-277V Electronic HPF Ballast  
GU24 CFL, 2-prong Base 2700K lamp – 120V Electronic NPF Ballast  
FT CFL, 4-pin 2G11 Base 3000K lamp – 120-277V Electronic HPF Ballast

Brownlee Lighting does not recommend GU24 base lamps for 24 hour operation due to lamp manufacturer specifications.

Fluorescent fixtures utilizing an occupancy sensor should include a programmed start HPF ballast. Fluorescent lamps powered by instant start or rapid start ballasts, or GU24 base compact fluorescent lamps used in this application may result in severely shortened lamp life and/or ballast damage.

### MOUNTING

Directly to j-box (by others). Mounting hardware included.

### FINISH

The 2344 series is available in all Brownlee paint finishes as a standard offering.

### ORDERING INFORMATION

**2344** - Model - 2. - 3. - 4. - 5. - 6. (if required)

### 2. SIZE

**24** 24" dia.  
**30** 30" dia.

### 3. FINISH

#### STANDARD

**AG** Antique Gold  
**BL** Black  
**BR** Brick  
**BZ** Bronze  
**DS** Desert Stone  
**GM** Gun Metal  
**MB** Metallic Bronze  
**NT** Nickel Tone  
**OL** Oak Leaf  
**PL** Platinum  
**RB** Rustic Bronze  
**RC** Rustic Copper  
**WH** White

#### CUSTOM

Provide color sample or RAL code to match

### 4. WATTAGE

#### 24 & 30 SIZE

**413Q** 4-13W Quad CFL, elec. HPF  
**418Q** 4-18W Quad CFL, elec. HPF  
**326Q** 3-26W Quad CFL, elec. HPF  
**426Q** 4-26W Quad CFL, elec. HPF

**332T** 3-32W Triple CFL, elec. HPF  
**432T** 4-32W Triple CFL, elec. HPF  
**342T** 3-42W Triple CFL, elec. HPF  
**442T** 4-42W Triple CFL, elec. HPF

**413G** 4-13W GU24 CFL, elec. NPF  
**318G** 3-18W GU24 CFL, elec. NPF  
**418G** 4-18W GU24 CFL, elec. NPF

#### 30 SIZE

**436F** 4-36/39W FT CFL, elec. HPF

### 5. DIFFUSER

**MAL** Mahogany Linen  
**NAL** Natural Linen  
**ROW** Rolling Waves  
**WHL** White Linen

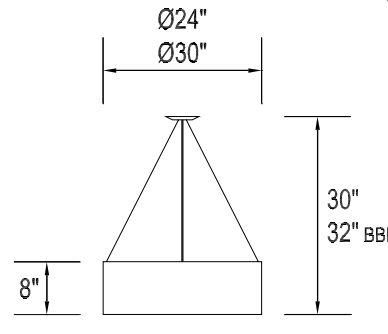
### 6. AVAILABLE OPTIONS

**BAC** Buy American Compliant  
**BB1** Integral Battery Backup (Q & T only, adds 2" to depth)

**DIM1** Dimming Ballast (120V) (Q & T only)  
**DIM2** Dimming Ballast (277V) (Q & T only)  
**ES3** ENERGY STAR® (elec., NPF) (G only)  
**ES4** ENERGY STAR® (elec., HPF) (Q only)  
**SSM** Single Stem Mount (24 size only)



GM finish, WHL diffuser



1) BBI & BBR options have an operating temperature of +32°F to +122°F. BBIC & BBRC options have an operating temperature of -4°F to +131°F. BBR & BBRC are field installed options available on all HPF fluorescent (CFL & T8) fixtures, except those with dimming ballasts. The maximum distance between the battery and the fixture is 10' for HPF ballasts.

### Specifications and dimensions subject to change without notice.

Consult your Brownlee Lighting representative for availability and ordering information.