

Brushed Nickel (BN) finish

1447 LED

The 1447's trapezoidal form factor makes for a unique wall luminaire that is ADA compliant and perfect for any upscale commercial or residential application. The contemporary one-piece diffuser is constructed of thick, opal-white glass which is formed with a closed top. Architectural cast aluminum trim is standard in Brushed Nickel with a variety of optional finishes to choose from. Backplate matches the trim. Other models in this series include the 1440, 1442, and 1445.

FINISHES



1447 LED

STANDARD SPECIFICATIONS

TRIM

Tapered die-cast aluminum trim piece attaches directly to the decorative backplate.
Trim contains no exposed hardware.

DIFFUSER

Diffuser is constructed of 0.20" thick opal-white glass which is formed with a closed top.
Diffuser seats securely into the trim and is held into position with a screw from the top.

REFLECTOR

Formed cold rolled steel design, finished in a powder coat high reflectance white paint.

DECORATIVE BACKPLATE

Formed cold rolled steel rectangular backplate adds scale while serving as a sleek complement to the fixture.

LED PERFORMANCE - 3500K STANDARD

120-277V - 3500K, 82 CRI - L80 rating - 60,000 hrs - L70 rating (projected) - 100,000 hrs
Amperage rated @ 110V input
Operating ambient temperature: -20°C / -4°F - 40°C / 104°F
Refer to Wattage section for lumen output. Consult Brownlee.com for performance of all CCTS.

MOUNTING

Directly to j-box (by others). Mounting hardware included.

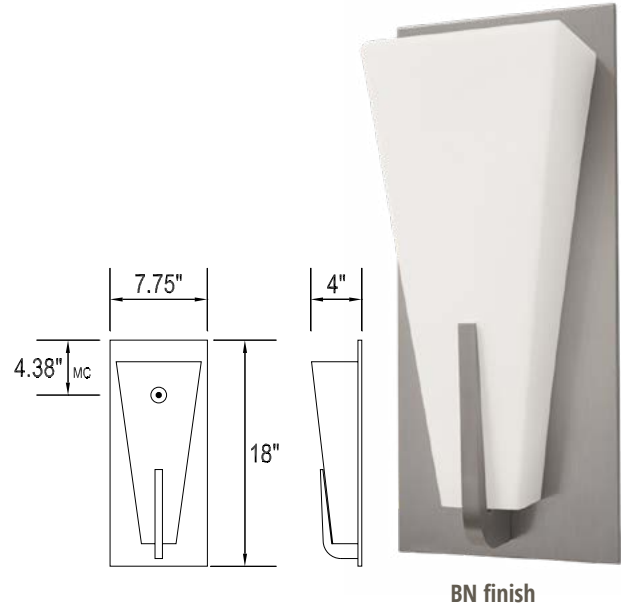
FINISH

The 1447 series is finished in Brushed Nickel as a standard offering. Options include all Brownlee paint finishes.

WARRANTY

5 year limited warranty on this LED product. Consult factory for details.

PROJECT:
MODEL #:
FIXTURE TYPE:



BN finish



DAMP



ORDERING INFORMATION

1447 - _____ - _____ - _____
Model 2. 3. 4. (if required)

2. FINISH

STANDARD

BN Brushed Nickel

OPTIONAL

BL Black
BT Brass Tone
BZ Bronze
GM Gun Metal
MB Metallic Bronze
NT Nickel Tone
PL Platinum
WH White

CUSTOM

Provide color sample or RAL code to match

3. WATTAGE

B6LED 6W B Series LED, .05 A input, 428 delivered lumens
B12LED 12W B Series LED, .10 A input, 874 delivered lumens
C9LED 9W C Series LED, .10 A input, 659 delivered lumens

*Delivered lumens noted in 3500K.

4. AVAILABLE OPTIONS

35K 3500K standard color temperature
27K 2700K color temperature
30K 3000K color temperature
40K 4000K color temperature
90R 90 CRI (3000K only)
BAC Buy American Compliant
DIM Dimming driver (120-277V) (All except B6LED) (0-10V dimming control required)
DTR Triac (Line Voltage) Dimming (120V) (All except B6LED)
ES ENERGY STAR® (Not available in 90 CRI)
T24° Title 24 Compliant (B12LED in 3000K only)

9) Title 24 Compliance includes 0-10v dimming, 90 CRI and 2016 JA8 High Efficacy compliant fixture labeling. Contact factory for LED performance specifications.

Specifications and dimensions subject to change without notice.

Consult your Brownlee Lighting representative for availability and ordering information.