

Brushed Nickel (BN) finish

5172 LED

The 5172 features a slim, minimalist design and can be mounted horizontally over a mirror or vertically as a sconce. Diffuser is constructed of stout, matte-white acrylic with three sizes to choose from. Housing and decorative trim are standard in Brushed Nickel with optional finishes available.

FINISHES



FLUME-RD

STANDARD SPECIFICATIONS

HOUSING

Cold rolled steel, die-formed, and assembled with hardware and welds. The housing can be mounted horizontal or vertical.

DIFFUSER

Translucent, UV stabilized white acrylic. The extruded material can withstand minor impact without breaking. The decorative trim brackets are attached with countersunk fasteners.

LED PERFORMANCE - 3500K STANDARD

120-277V - 3500K, 82 CRI - L80 rating - 60,000 hrs - L70 rating (projected) - 100,000 hrs
 Amperage rated @ 110V input
 Operating ambient temperature: -20°C / -4°F - 40°C / 104°F

Delivered 3500K lumens noted. Consult Brownlee.com for performance of all CCTs.

- H16 - 16W nominal, .14 A input - 1660 lm. Dimmable (0-10V).
- H21 - 21W nominal, .18 A input - 1989 lm. Dimmable (0-10V).
- H25 - 25W nominal, .20 A input - 2583 lm. Dimmable (0-10V).
- H31 - 31W nominal, .27 A input - 3147 lm. Dimmable (0-10V).
- H32 - 32W nominal, .26 A input - 3924 lm. Dimmable (0-10V).
- H41 - 41W nominal, .35 A input - 4793 lm. Dimmable (0-10V).

MOUNTING

Fixture mounts to a 2x4 j-box (by others). 2x4 box must be positioned horizontally if mounting fixture horizontally and vertically if mounting fixture vertically. 4x4 j-box cover plate included, matched to the specified fixture finish. 4x4 cover plate will not assist in covering a 2x4 box that is positioned perpendicular to the direction of the fixture unless a custom bracket is used - contact factory.

FINISH

The 5172 series is finished in brushed nickel as a standard. It is available in all Brownlee paint finishes as an optional offering. Plated finishes such as Brushed Nickel are suitable for indoor applications only. Installation outdoors voids the Brownlee Limited Warranty.

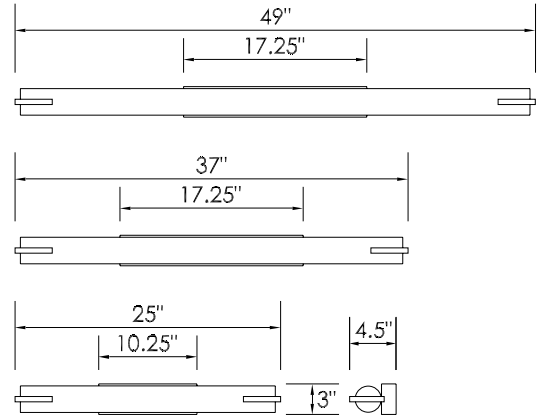
WARRANTY

5 year limited warranty on this LED product. Consult factory for details.

PROJECT:
MODEL #:
FIXTURE TYPE:



BN finish



ORDERING INFORMATION

5172 - _____
 Model 2. 3. 4. 5. 6. (if required)

2. SIZE

- 25** L: 25"
- 37** L: 37"
- 49** L: 49"

3. FINISH

STANDARD
BN Brushed Nickel

OPTIONAL
BL Black
BZ Bronze
GM Gun Metal
MB Metallic Bronze
MG Metallic Gold
NT Nickel Tone
PL Platinum
WH White

CUSTOM
 Provide color sample or RAL code to match

4. WATTAGE

- 25 SIZE**
H16 16W H Series LED
H21 21W H Series LED
- 37 SIZE**
H25 25W H Series LED
H31 31W H Series LED
- 49 SIZE**
H32 32W H Series LED
H41 41W H Series LED

5. COLOR TEMPERATURE

- 35K** 3500K standard color temperature
- 30K** 3000K color temperature
- 40K** 4000K color temperature

6. AVAILABLE OPTIONS

- 90R⁰** 90 CRI
- BAC¹** Buy American Compliant
- DTR⁴** Triac (Line Voltage) Dimming (120V)
- ES⁶** ENERGY STAR® (Not available in 90 CRI) (H16, H25, H32 Only)
- FCL⁷** French Canadian Labels
- T24⁹** Title 24 JA8 Compliant (H16, H25 & H32 only)

Universal Footnotes (only applies if option is listed on spec sheet): (0) 90R - 90 CRI output-loss multiplier: 0.85 (estimate). Cannot be combined with ES. (1) BAC - cannot be combined with FCL. (2) BBI/BBS/BBC - cannot be combined with ECW or EXT. (3) BLD - includes integral microwave motion sensor (do not combine with OCC option). Cannot be combined with DTR. (4) DTR - cannot be combined with BLD. (5) ECW - cannot be combined with BBI, BBC, or DTR. (6) ES - cannot be combined with 90R or T24. (7) FCL - cannot be combined with BAC. (8) OCC - integral microwave motion sensor (ON/OFF). (9) T24 - includes JA8 labeling and 90 CRI LEDs (do not combine with 90R option). Cannot be combined with ES. (10) PCH/PC4 - cannot be combined with BLD or OCC. **Add'l Notes:** *BBI/BBC - BBI minimum operating temp: 10C/50F unless otherwise stated. BBC minimum operating temp: -20C/-4F. **BLD - integral microwave motion sensor with step-dim control. 1: Motion is detected, illuminate to 100%. 2: Motion no longer detected, dim to set level. 3: Remain in continuous dimmed state or turn off after set period. Configurable via onboard dip switches.

Specifications and dimensions subject to change without notice.

Consult your Brownlee Lighting representative for availability and ordering information.

