

White Out | Black In



Black Out | Nickel Tone In

BARREL

Inspired by our “Innie” series, the “Barrel” collection features an inset diffuser, allowing for a variety of finish combinations. Barrel-Deep provides scale and depth for higher ceilings and larger spaces, while Barrel-Shallow can be used in clusters along with Barrel-Deep, or on its own in smaller spaces. Direct output standard with an optional indirect component available. Series breakdown below.

Pendant - Shallow Shade - Model #: 2670.

Pendant - Deep Shade - Model #: 2672.

Surface - Shallow Shade - Model #: 2470. (Separate Spec Sheet).

Surface - Deep Shade - Model #: 2472. (Separate Spec Sheet).

CUSTOMIZE



BARREL PENDANT

STANDARD SPECIFICATIONS - PENDANT MOUNT

HOUSING + SUSPENSION

Aluminum alloy formed spinning. No exposed hardware on spinning wall. Power cord drop with integral (hidden) aircraft cable. For extended drops, refer to CE2 in Options section.

DIFFUSER

Diffuser is slightly convex in shape and is constructed of UV stabilized white acrylic.

LED PERFORMANCE - 3500K STANDARD

120-277V - 3500K, 82+ CRI - L80 rating - 60,000 hrs - L70 rating (projected) - 100,000 hrs Amperage rated @ 110V input. Operating ambient temperature: -20°C / -4°F - 35°C / 95°F Uses RoHS compliant electrical components. Delivered 3500K lumens noted.

Model #: 2670 - Barrel Shallow

16 Size: R11 - 11W nominal, .09 A input - 1165 lm. Dimmable (0-10V).

16 Size: R18 - 18W nominal, .15 A input - 1865 lm. Dimmable (0-10V).

16 Size: R22 - 23W nominal, .19 A input - 2200 lm. Dimmable (0-10V).

Model #: 2672 - Barrel Deep

19 Size: L16 - 16W nominal, .13 A input - 1315 lm. Dimmable (0-10V).

19 Size: L32 - 32W nominal, .26 A input - 2405 lm. Dimmable (0-10V).

19 Size: L52 - 52W nominal, .44 A input - 3585 lm. Dimmable (0-10V).

24 Size: R23 - 23W nominal, .19 A input - 1750 lm. Dimmable (0-10V).

24 Size: R49 - 49W nominal, .41 A input - 3430 lm. Dimmable (0-10V).

24 Size: R68 - 68W nominal, .58 A input - 4960 lm. Dimmable (0-10V).

INDIRECT COMPONENT (OPTIONAL)

Dedicated indirect (up light) component available as an optional offering. Wired to same circuit as direct (down light) output and not independently controllable. Contact factory if independent control is required. Refer to Options section of spec sheet to order.

UP1 - 16W nominal, .15 A input - 1600 lm. (0-10V).

UP2 - 22W nominal, .20 A input - 2220 lm. (0-10V).

MOUNTING

Mounts to octagonal ceiling j-box (by others). J-box must have 1.25"-minimum depth clearance for mounting bracket (refer to detailed line drawing). Hardware included. Refer to Model #: 2470/2472 for surface mount. Will not mount to shallow pancake box. Refer to Suspension column of ordering section below for hard stem modification.

FINISH

Matte White outer and inner is the standard finish combination. Optional finishes available.

WARRANTY

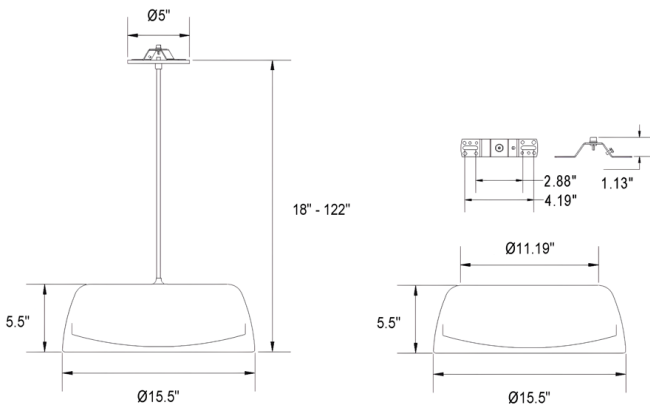
5 year limited warranty. Refer to Warranty web page for details.

PROJECT:
MODEL #:
FIXTURE TYPE:



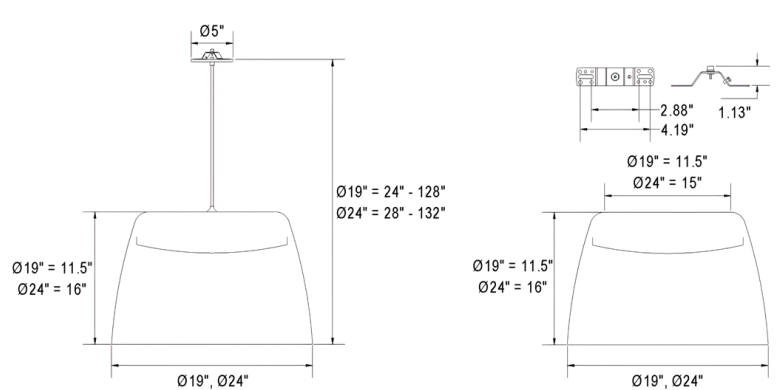
BARREL SHALLOW

Model #: 2670



BARREL DEEP

Model #: 2672



Specifications and dimensions subject to change without notice.

Consult your Brownlee Lighting representative for availability and ordering information.

BARREL PENDANT

STANDARD SPECIFICATIONS - PENDANT MOUNT

PROJECT:

MODEL #:

FIXTURE TYPE:



ORDERING INFORMATION

1. Model 2. 3. 4. 5. 6. 7. 8.

1. MODEL

- 2670** Barrel [Shallow] - Pendant
2672 Barrel [Deep] - Pendant

2. SIZE

- 16** 2670 [Shallow]
15.5" dia. x 5.5" h shade
- 19** 2672 [Deep]
19" dia. x 11.5" h shade
- 24** 24" dia. x 16" h shade

3. OUTER FINISH

Finish applies to outer shade only.

STANDARD

- WH** White (Standard Finish)

OPTIONAL

- BL** Black
BU Pastel Blue (RAL 5024)
GN Pastel Green (RAL 6019)
MG Metallic Gold
NT Nickel Tone
OR Florida Orange
RD Red (RAL 3020)
YL Yellow (RAL 1018)

4. WATTAGE

2670-16 SIZE

Barrel [Shallow] Only

- R11** 11W R Series LED
R18 18W R Series LED
R22 23W R Series LED

2672-19 SIZE

Barrel [Deep] Only

- L16** 16W L Series LED
L32 32W L Series LED
L52 52W L Series LED

2672-24 SIZE

Barrel [Deep] Only

- R23** 23W R Series LED
R49 49W R Series LED
R68 68W R Series LED

5. INNER FINISH

Finish applies to inner shade only.

STANDARD

- WH** White (Standard Finish)

OPTIONAL

- BL** Black
BU Pastel Blue (RAL 5024)
GN Pastel Green (RAL 6019)
MG Metallic Gold
NT Nickel Tone
OR Florida Orange
RD Red (RAL 3020)
YL Yellow (RAL 1018)

6. SUSPENSION

Finish applies to power cord and ceiling canopy.

- BLC** Black Cord & Canopy

- WHC** White Cord & Canopy

Note: Hard stem suspension available. Specify SSM here. Stem finish will match outer fixture finish. 21" stem standard. Contact factory for alternative lengths/pricing.

7. COLOR TEMPERATURE

- 35K** 3500K standard color temperature
27K 2700K color temp. (R wattages only) ^{*SEE ETA NOTE*}
30K 3000K color temperature
40K 4000K color temperature

8. AVAILABLE OPTIONS

- 90R⁰** 90 CRI (30K & 35K only)
Only applies to direct output. Optional indirect component unavailable in 90 CRI.
90 CRI output-loss multiplier: 0.85 (estimate)
- BAC¹** Buy American Compliant
- CE2** 10' - 20' Cord/Cable Extension (Up to 20' drop)
- DTR⁴** Triac (Line Voltage) Dimming (120V)
(Not currently available on R68 wattage - contact factory if needed)
- FCL⁷** French Canadian Labels
- UP1** Up Light (Indirect) Component - 16W / 1600 lm
- UP2** Up Light (Indirect) Component - 22W / 2220 lm
- T24⁹** Title 24 JA8 Compliant (30K & 35K only)
(Not available in L Series wattages or R68)

Universal Footnotes (only applies if option is listed on spec sheet): (0) 90R - 90 CRI output-loss multiplier: 0.85 (estimate). Cannot be combined with ES. (1) BAC - cannot be combined with FCL. (2) BBI/BBS/BBC - cannot be combined with ECW or EXT. (3) BLD - includes integral microwave motion sensor (do not combine with OCC option). Cannot be combined with DTR. (4) DTR - cannot be combined with BLD. (5) ECW - cannot be combined with BBI, BBC, or DTR. (6) ES - cannot be combined with 90R or T24. (7) FCL - cannot be combined with BAC. (8) OCC - integral microwave motion sensor (ON/OFF). (9) T24 - includes JA8 labeling and 90 CRI LEDs (do not combine with 90R option). Cannot be combined with ES. (10) PCH/PC4 - cannot be combined with BLD or OCC. **Add'l Notes:** *BBI/BBC - BBI minimum operating temp: 10C/50F unless otherwise stated. BBC minimum operating temp: -20C/-4F. **BLD - integral microwave motion sensor with step-dim control. 1: Motion is detected, illuminate to 100%. 2: Motion no longer detected, dim to set level. 3: Remain in continuous dimmed state or turn off after set period. Configurable via onboard dip switches.

Specifications and dimensions subject to change without notice.

Consult your Brownlee Lighting representative for availability and ordering information.